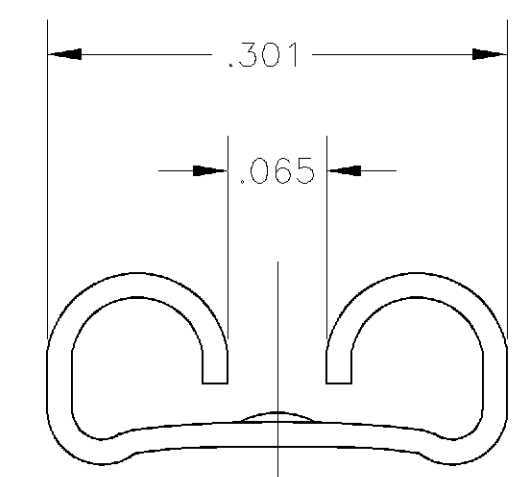
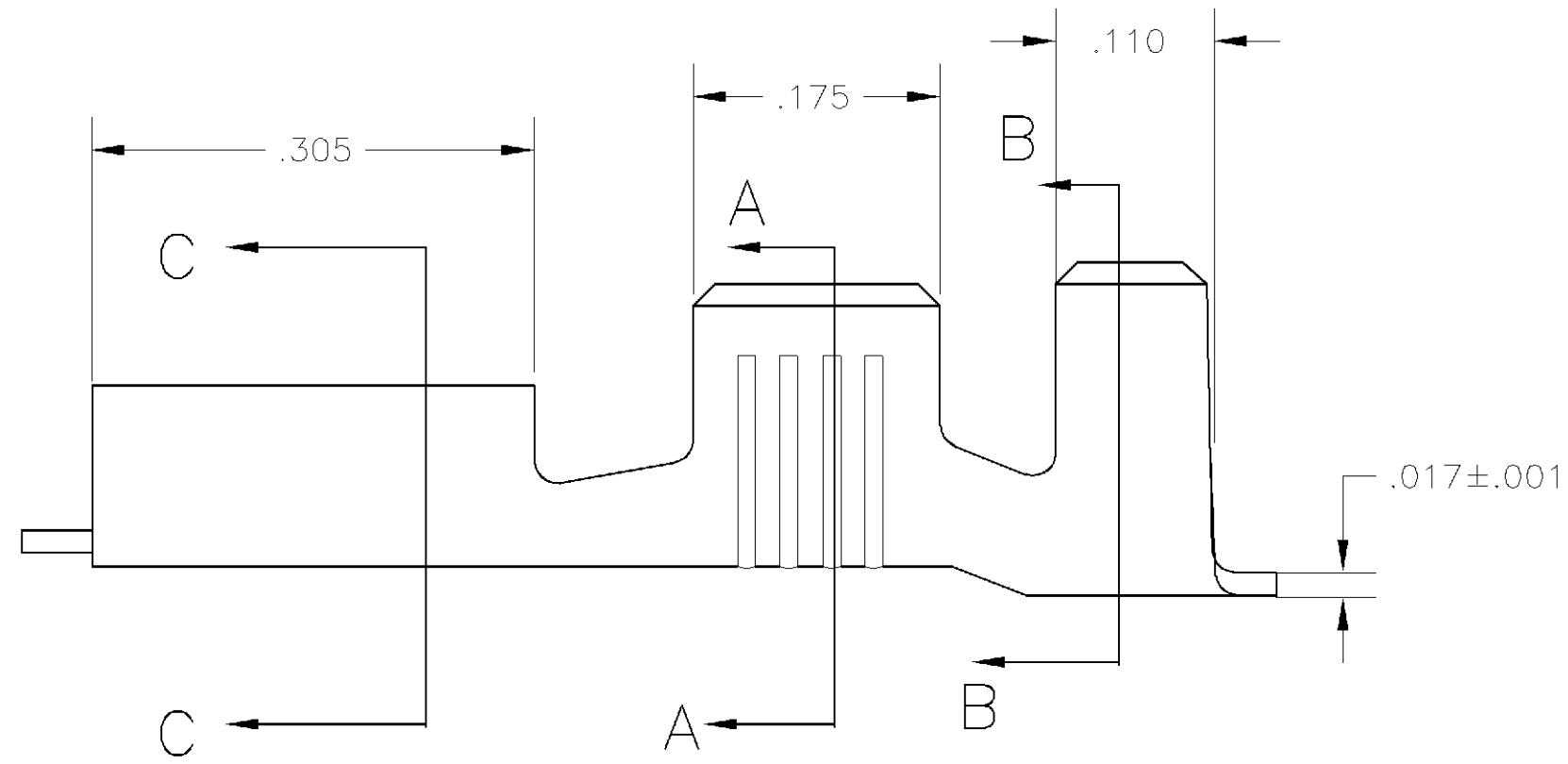
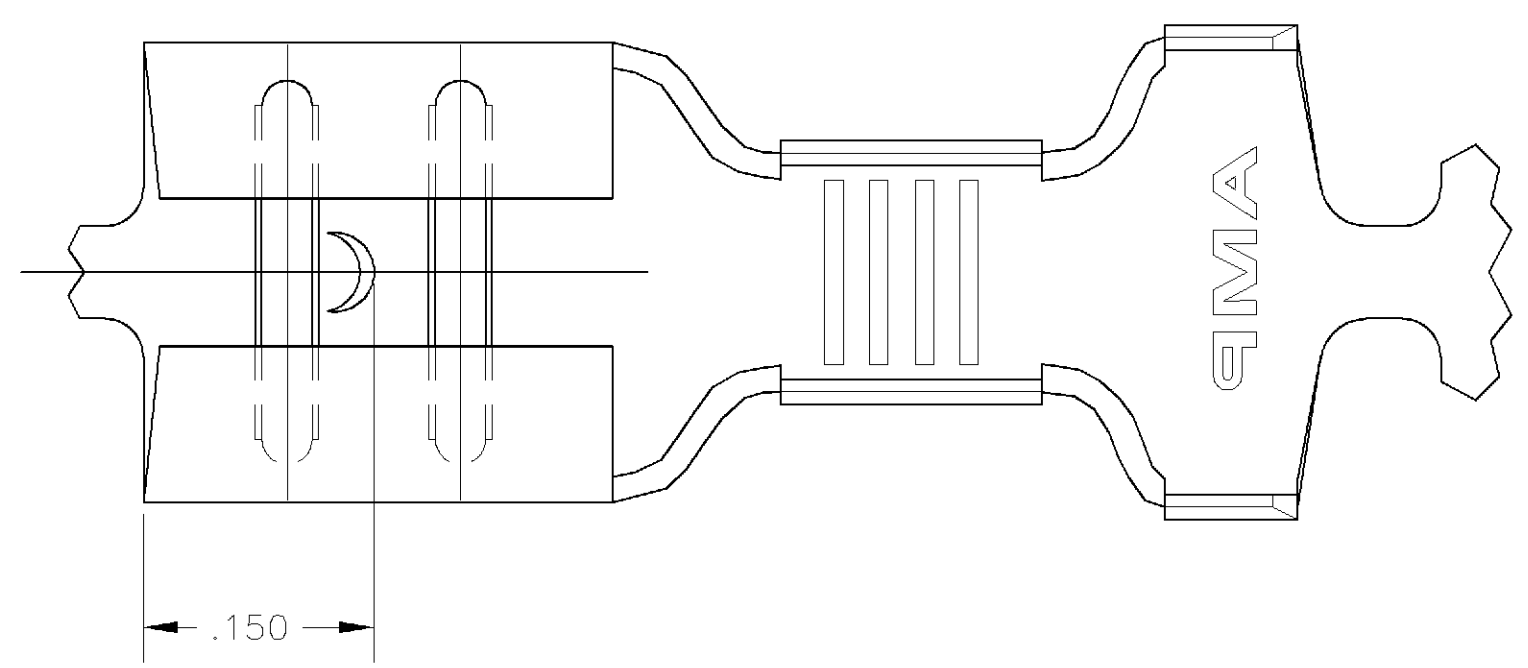


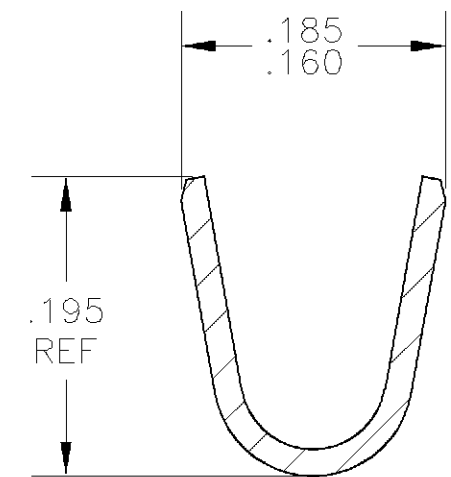
THIS DRAWING IS UNPUBLISHED. RELEASED FOR PUBLICATION
 © COPYRIGHT BY TYCO ELECTRONICS CORPORATION. ALL RIGHTS RESERVED.

LOC	DIST	REVISIONS			
P	LTR	DESCRIPTION	DATE	DWN	APVD
AF	50	H	REDRAWN IN AC PER OG3A-0387-02	27JUN02	JR PD

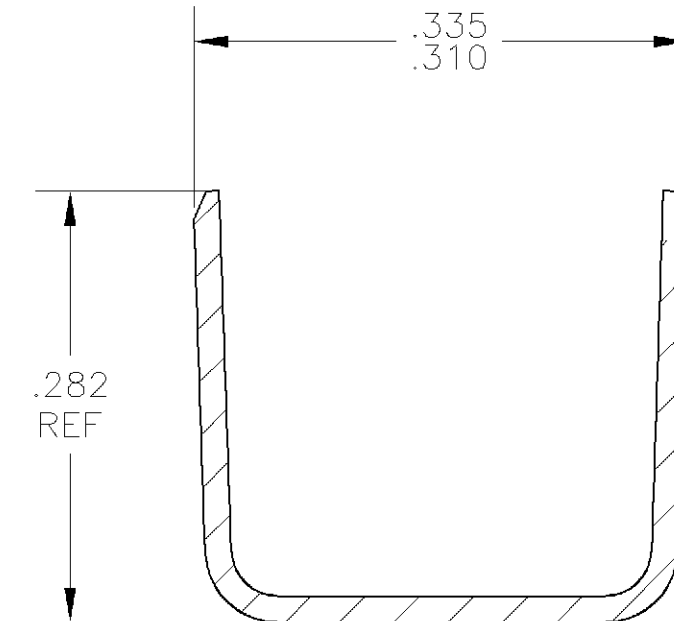
- 1 CONTINUOUS STRIP ON REELS
- 2 ACCEPTS #14#10 AWG OR TWO #14's WIRE SIZES, CRIMP WIDTH, .140, F TYPE
- 3 INSULATION RANGE IS .225-.275 DIA OR TWO AT .140 MAX. CRIMP WIDTH, .310, F TYPE
- 4 MATING TAB THK IS .032±.001.



SECTION C-C



SECTION A-A



SECTION B-B

-	60635-3
.000150 MIN SILVER	60635-2
.000080 MIN TIN	60635-1
FINISH	PART NO

THIS DRAWING IS A CONTROLLED DOCUMENT.		DWN	JR_RUTH	27JUN02	Tyco Electronics Corporation Harrisburg, PA 17105																	
DIMENSIONS: INCHES		CHK	P_DESANTIS	28JUN02																		
TOLERANCES UNLESS OTHERWISE SPECIFIED:		APVD	P_DESANTIS	28JUN02																		
<table border="1"> <tr><td>0 PLC</td><td>±</td><td>-</td></tr> <tr><td>1 PLC</td><td>±</td><td>-</td></tr> <tr><td>2 PLC</td><td>±</td><td>-</td></tr> <tr><td>3 PLC</td><td>±</td><td>.010</td></tr> <tr><td>4 PLC</td><td>±</td><td>-</td></tr> <tr><td>ANGLES</td><td>±</td><td>-</td></tr> </table>		0 PLC	±	-		1 PLC	±	-	2 PLC	±	-	3 PLC	±	.010	4 PLC	±	-	ANGLES	±	-	NAME	
0 PLC	±	-																				
1 PLC	±	-																				
2 PLC	±	-																				
3 PLC	±	.010																				
4 PLC	±	-																				
ANGLES	±	-																				
MATERIAL	4M BRASS	FINISH	SEE TABLE	WEIGHT	-	SIZE	A2	CAGE CODE	00779	DRAWING NO	C=60635	RESTRICTED TO	-									
CUSTOMER DRAWING		SCALE		8:1	SHEET		1	OF		1	REV	H										